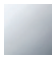


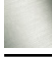



33 600 845

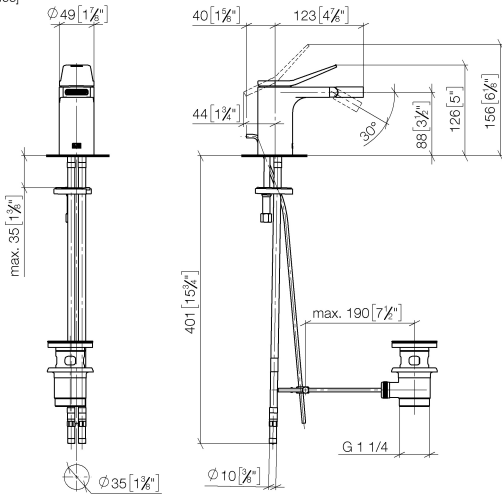


- 123mm projection
- ball-joint pivotable through 30°
- rectangular, air-enriched flow
- height of mixer 127 mm
- height up to aerator 83 mm
- hole diameter 35 mm
- 2x screw-in M 8 x 1 pressure hose, leak-tested
- max. flow 6 l/min

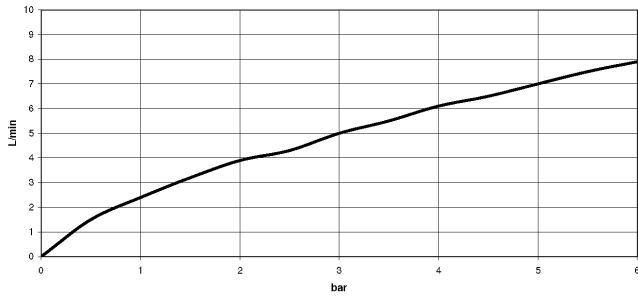
| | | |
|---|-----------------------|---------------|
|  | Chrome | 33 600 845-00 |
|  | Brushed Platinum | 33 600 845-06 |
|  | Dark Chrome | 33 600 845-19 |
|  | Brushed Chrome | 33 600 845-93 |
|  | Brushed Dark Platinum | 33 600 845-99 |

33 600 845

mm [inches]



Flow rate chart



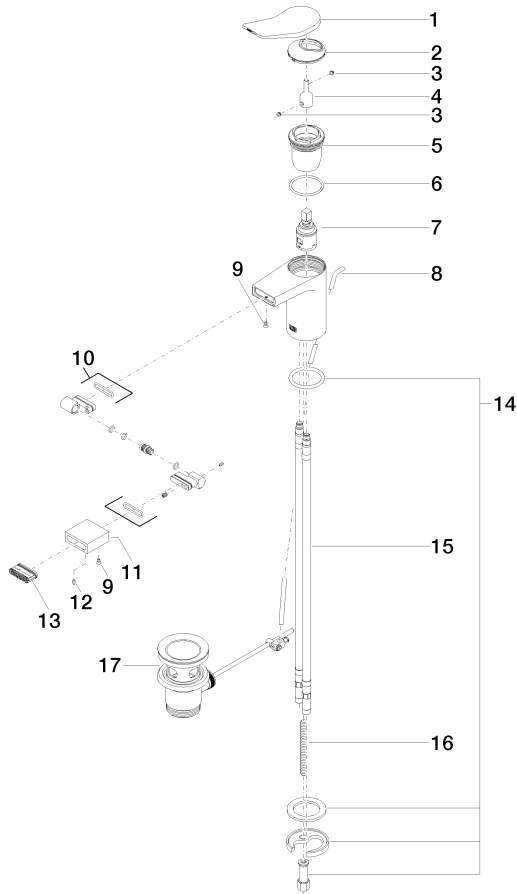
Certificates

LGA_29009.

WRAS_1804055.

WRAS_240202012.

33 600 845



Spare parts list

| No. | Item Number | Name | Quantity used | Delivery time |
|-----|--------------------|--------------|---------------|---------------|
| 1 | 90 20 84 020 00-00 | handle | 1 | 10 |
| 2 | 09 28 30 034 90 | cover | 1 | 2 |
| 3 | 90 31 11 063 00 90 | pin | 2 | 2 |
| 4 | 09 29 06 117-07 | extension | 1 | 30 |
| 5 | 09 23 10 123 90 | nut | 1 | 2 |
| 6 | 09 14 10 038 90 | seal | 1 | 2 |
| 7 | 90 15 05 042 00 90 | cartridge | 1 | 2 |
| 8 | 09 31 09 120-00 | pull-rod | 1 | 10 |
| 9 | 09 30 30 157 90 | screw | 2 | 2 |
| 10 | 90 24 02 083 00-00 | joint | 1 | 10 |
| 11 | 09 23 01 123-00 | sleeve | 1 | 10 |
| 12 | 09 31 11 064 90 | pin | 1 | 2 |
| 13 | 90 29 03 045 00 90 | aerator | 1 | 2 |
| 14 | 04 30 11 038 75 90 | fixing set | 1 | 2 |
| 15 | 04 30 04 018 00 90 | hose | 2 | 60 |
| 16 | 09 31 11 011 90 | pin | 1 | 2 |
| 17 | 90 11 01 001 00-00 | pop-up waste | 1 | 10 |